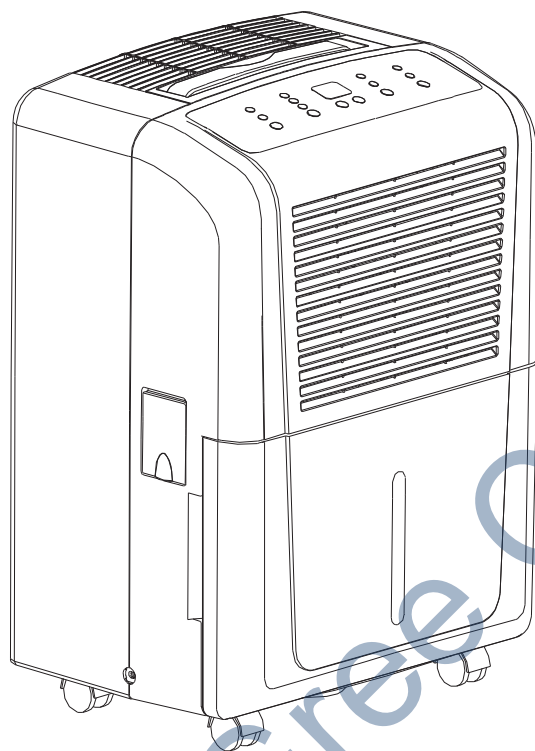


Please read this manual carefully before operating the unit.

Owner's Manual



Model:

GDNM10AEBK4A8A

GDNM12AEBK4A8A

GDNE16AEBK4A8A

GDNE20AEBK4A8A

GDNE24AEBK4A8A

GDNE30AEBK4A8A

DEHUMIDIFIER

CONTENTS

Safety Instructions	3
Operating Instructions	
About the Controls on the Dehumidifier.....	4
How the Dehumidifier Operates.....	6
Automatic Defrost.....	6
Choosing a Location.....	6
Removing Collected Water.....	7
Water Level.....	7
Care and Cleaning	
Grille and Case.....	8
Water Bucket.....	8
Troubleshooting	9
Long term storage	10
Electric schematic diagram	10
Specifications	10
Installation and Maintenance of Healthy Filter	11

IMPORTANT INSTRUCTIONS

Do not install and use your dehumidifier before completely reading these instruction .

This will help you optimize the operation of your dehumidifier .

The following advice and instructions should be followed closely:

1. Your unit must always be used in an upright position because it contains cooling agent.
2. After unpacking Your unit, place the unit upright to allow the cooling agent to stabilize , and wait 2 hours before use .
3. This product must not be disposed together with the domestic waste. This product has to be disposed at an authorized place for recycling of electrical and electronic appliances.
4. The appliance shall not be installed in the laundry.
5. the appliance shall be installed in accordance with national wiring regulations and must be positioned so that the plug is accessible.
6. If the supply cord is damaged, it must be replaced by the manufacturer or its service agent or a similarly qualified person in order to avoid a hazard.

Failure to comply with these instructions may damage the unit and will invalidate the warranty .



IMPORTANT SAFETY INFORMATION. READ ALL INSTRUCTIONS BEFORE USING.

⚠ WARNING!

For your safety, the information in this manual must be followed to minimize the risk of fire, electric shock or personal injury.

SAFETY PRECAUTIONS

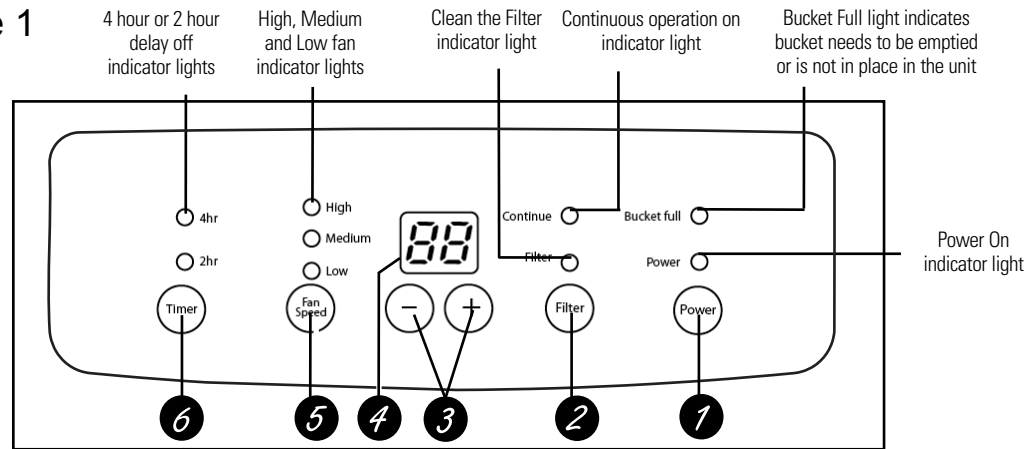
When using this dehumidifier, always follow basic safety precautions, including the following:

- Always operate the product from a power source of the same voltage ,frequency and rating as indicated on the product identification plate .
- Close supervision is necessary when any product is used by or near children or invalids .Do not allow children to use it as a toy .
- Do not operate any product with a damaged cord or plug, or after the product malfunctions, or is dropped or appears damaged in any way. Return the complete product to the place of purchase for inspection, repair or replacement.
- Never connect the unit to a defective socket.
- To avoid tripping the circuit, **DO NOT USE AN EXTENSION CORD FOR THIS UNIT.**
- Make sure that the unit is correctly connected before turning on the unit's power. Never lay down the unit while it is working.
- Always keep it in an upright position to avoid any damage to the unit.
- Switch off and unplug from outlet when not in use or before cleaning.
- Do not place the power cord under a carpet.
- Never install the unit in direct sunshine.
- Prevent children from climbing on the unit.
- To turn on your unit, always use the switch on the control panel.
- Never unplug the dehumidifier while it is working, This could damage the electronic circuits.
- Never place anything on top of the unit and do not cover it with any kind of cloth while it is plugged in or in-use.
- Do not place objects on the product or allow objects to obstruct the inlet or outlet openings, or operate in close proximity to walls or curtains, etc.
- The use of attachments or accessories not recommended or sold by the product distributor may cause personal or property hazards or injuries.
- Keep the area around the warm air outlet sufficiently clean and make sure that it is not congested.
- This product is intended for normal domestic /household use only.
- Repairs should only be carried out by competent service department.
- This appliance is not intended for use by persons (including children) with reduced physical, sensory or mental capabilities, or lack of experience and knowledge, unless they have been given supervision or instruction concerning use of the appliance by a person responsible for their safety.
Children should be supervised to ensure that they do not play with the appliance.

PLEASE READ AND SAVE THESE INSTRUCTIONS

About the controls on the dehumidifier.

Control type 1



Controls

NOTE: When the bucket is full or removed, the controls cannot be set.

1 Power Pad

Press to turn the dehumidifier on and off.

2 Filter Timer

After 250 hours of operation, the **Clean the Filter** indicator light will glow to remind you to clean the filter. Remove the filter and clean it.

Press to turn off the **Clean the Filter** light. See the *Care and Cleaning* section.

3 Humidity Set Control Pads

The humidity level can be set within a range of 80% RH (Relative Humidity) to 35% RH (Relative Humidity) in 5% reduce or at **CO** for continuous operation.

NOTE: If **CO** (Continuous) is selected, the dehumidifier will operate continuously at its maximum dehumidification settings if attached to a hose to drain or until the bucket is full.

For drier air, press the **-** pad and set to a lower percent value (%).

For damper air, press the **+** pad and set to a higher percent value (%).

4 Display

When you first use the dehumidifier, set the humidity control to 45% or 50%. Allow at least 24 hours for the dehumidifier to achieve the humidity level. If you still have damper air than desired, set the humidity level to a lower setting or select Continuous for maximum dehumidification.

Shows the set % humidity level while setting, then shows the actual (+/- 5% accuracy) room % humidity level.

5 Fan Speed Pad

Controls the fan speed.

Press to select either **High**, **Medium** or **Low** fan speed.

Set the fan control to **High** for maximum moisture removal. When the humidity has been reduced and quiet operation is preferred, set the fan control to **Medium** or **Low**.

6 Delay Off

While the dehumidifier is in operation, press this pad to set it to automatically turn off in 2 hours or 4 hours.

Other Features

BUCKET FULL Light

Glow when the bucket is ready to be emptied, or when the bucket is removed or not replaced in the proper position.

Alarm

If the bucket is full or missing for more than three minutes, an alarm will sound for about 10 seconds to remind you to empty and replace the bucket.

Auto Shut Off

The Water Level Control Switch shuts off the dehumidifier when the bucket is full, or when

the bucket is removed or not replaced in the proper position.

Auto Defrost

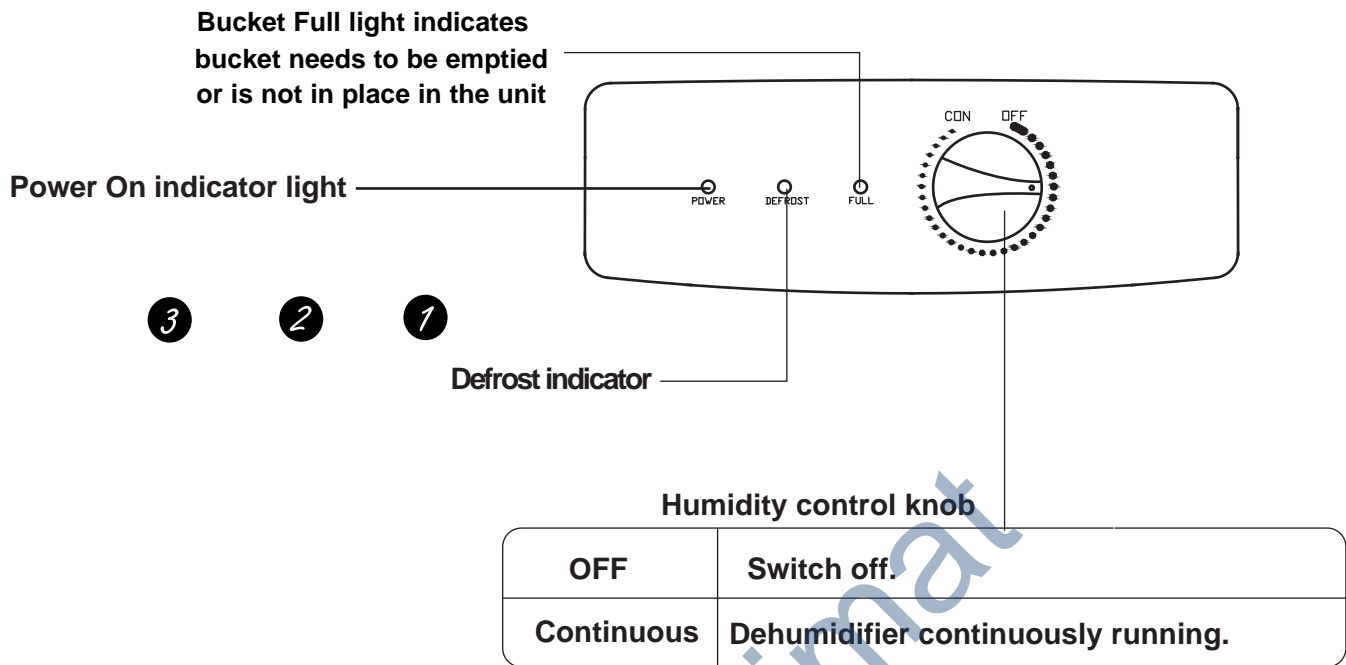
When frost builds up on the evaporator coils, the compressor will cycle off and the fan will continue to run until the frost disappears.

Power Outage

In the case of a power outage or interruption, the unit will automatically re-start, in the settings last used, after the power is restored.

About the controls on the dehumidifier.

Control type 2



Controls

NOTE: When the bucket is full or removed, the controls cannot be set.

- 1 Make sure the water tank is correctly positioned. (If the bucket full lamp illuminates when the unit is first switched on, remove the tank and replace it.)
- 2 Turn the humidity control knob to the desired setting (NORMAL) or CONTINUOUS to work.
- 3 The unit will shut down when turned to OFF position.

* * When turning on (or off) the machine, the defrost lamp would be bright once.

* * This unit has 3-min lag due to the device for protecting circuit. In order to prolong the compressor's working life, the compressor will not start until the unit has run for 3 minutes.

Other Features

BUCKET FULL Light

Glows when the bucket is ready to be emptied, or when the bucket is removed or not replaced in the proper position.

Auto Shut Off

The Water Level Control Switch shuts off the dehumidifier when the bucket is full, or when the bucket is removed or not replaced in the proper position.

Auto Defrost

When frost builds up on the evaporator coils, the compressor will cycle off and the fan will continue to run until the frost disappears. The defrost lamp will illuminate.

Power Outage

In the case of a power outage or interruption, the unit will automatically re-start, in the settings last used, after the power is restored.

Using the dehumidifier.

When first using the dehumidifier, operate the unit continuously 24 hours.

How the Dehumidifier Operates

Moist, humid air is drawn over a cold refrigerated dehumidifying coil. Moisture in the air condenses on this coil and drains into a bucket (or through a hose and drain).

Dry, clean air is drawn through the condenser where it is heated and discharged out the top grille into the room.

It is normal for the surrounding air to become slightly warmer as the dehumidifier operates.

Automatic Defrost

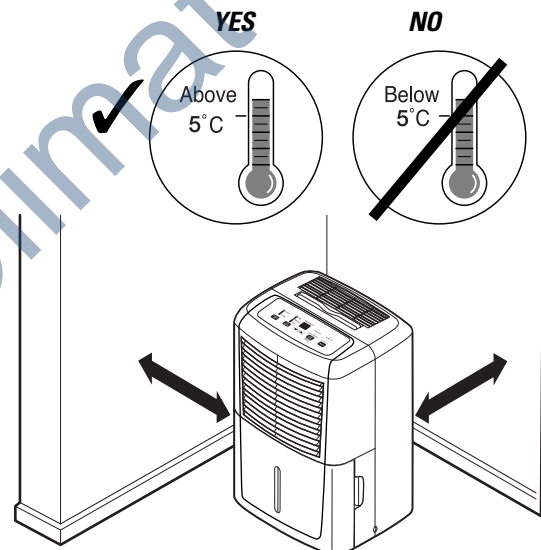
When frost builds up on the evaporator coils, the compressor will cycle off and the fan will continue to run until the frost disappears.

When the coil is defrosted, the compressor or fan (depending on model) will automatically restart and dehumidifying will resume.

Choosing a Location

A dehumidifier operating in a basement will have little or no effect in drying an adjacent enclosed storage area, such as a closet, unless there is adequate circulation of air in and out of the area.

- **Do not use outdoors.**
- *This dehumidifier is intended for indoor residential applications only. This dehumidifier should not be used for commercial or industrial applications.*
- *Place the dehumidifier on a smooth, level floor strong enough to support the unit with a full bucket of water.*
- *Allow at least 12–18 inches of air space on all sides of the unit for good air circulation.*
- *Place the dehumidifier in an area where the temperature will not fall below 5°C. The coils can become covered with frost at temperatures below 5 °C, which may reduce performance.*
- *Use the dehumidifier to prevent moisture damage anywhere books or valuables are stored.*
- *Use the dehumidifier in a basement to help prevent moisture damage.*
- *The dehumidifier must be operated in an enclosed area to be most effective.*
- *Close all doors, windows and other outside openings to the room.*



NOTE: *The dehumidifier has rollers to aid placement, but it should only be rolled on smooth, flat surfaces. Do not attempt to roll the dehumidifier on carpet or over objects.*

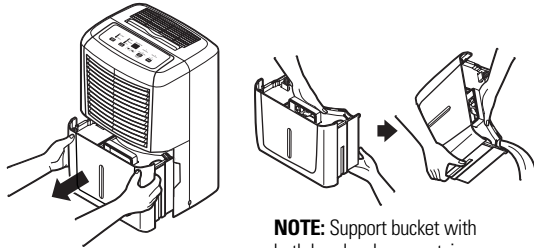
Using the dehumidifier.

Always make sure the water bucket is locked into place on the dehumidifier.

Removing Collected Water

There are 2 ways to remove collected water:

- 1 Use the bucket.** When the bucket is removed, the unit will shut off. Empty and replace the bucket.



NOTE: Support bucket with both hands when emptying.

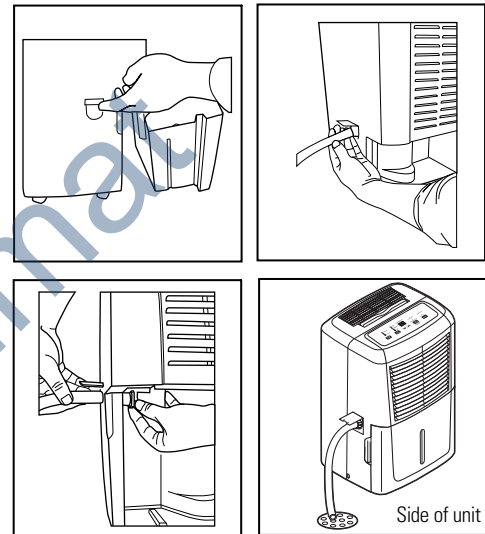
IMPORTANT: Do not use the hose if using the bucket to collect water. When the hose is connected, water will flow through it onto the floor instead of into the bucket.

NOTES:

- Do not remove the bucket while the dehumidifier is operating or if it has just stopped operating. This might cause some water to drip from the drain pan.
- The bucket must be in place and securely seated for the dehumidifier to operate.

- 2 Use a hose.** Water can be automatically emptied into a floor drain by attaching a 14mm inner diameter hose (not included).

1. Remove the bucket from the front of the unit.
2. Open the drain cover on the side of the unit.
3. Thread the drain tie-in (supplied) onto the nozzle.



4. Connect the hose to the drain tie-in, and lead it to the floor drain.
5. Replace the bucket in the unit.

NOTE: The bucket must be in place and securely seated for the dehumidifier to operate.

Water Level

The dehumidifier will turn off automatically when the bucket is full, or when the bucket is removed or not replaced in the proper position.

The bucket must be replaced in the proper position for the dehumidifier to work. The light will be on and the dehumidifier will not run if the bucket is not in the proper position.

Care and cleaning of the dehumidifier.

Turn the dehumidifier off and remove the plug from the wall outlet before cleaning.

Grille and Case

To clean the case:

Use water and a mild detergent. Do not use bleach or abrasives.

To clean the front grille:

Use a vacuum attachment or brush.

Water Bucket

To clean:

Every few weeks, clean the bucket to prevent growth of mold, mildew and bacteria. Partially fill the bucket with clean water and add a little mild detergent. Swish it around in the bucket, empty and rinse.

NOTE: Do not use a dishwasher to clean the water bucket.

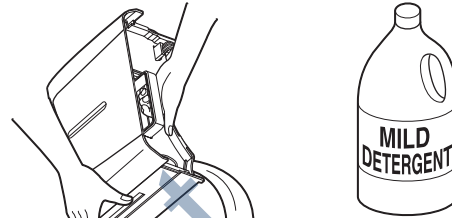
To remove:

Remove the bucket and pour any water out.

To replace:

Slide the bucket into the dehumidifier.

NOTE: The bucket must be in place and securely seated for the dehumidifier to operate.



Air Filter

The air filter behind the front grille should be checked and cleaned at least every 250 hours of operation or more often if necessary.

After 250 hours of operation, the **Clean the Filter** indicator light will glow to remind you to clean the filter. Remove the filter and clean it. Replace the filter and press the **Filter Timer** pad to turn off the **Clean the Filter** light.

To remove:

Remove the bucket. Grasp the filter edge, and pull it straight down and out.

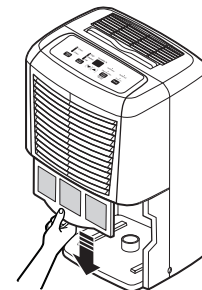
To clean:

Clean the filter with warm, soapy water. Rinse and let the filter dry before replacing it.

NOTE: DO NOT rinse or put the filter in an automatic dishwasher.

(Control Type1 Models only)

⚠ CAUTION: DO NOT operate the dehumidifier without a filter because dirt and lint will clog it and reduce performance.



NOTE: Avoid using a dishwasher to clean the filter.

Troubleshooting.

Problem	Possible Causes	What To Do
Dehumidifier does not start	The dehumidifier is unplugged.	<ul style="list-style-type: none"> • Make sure the dehumidifier's plug is pushed completely into the outlet.
	Dehumidifier has reached its preset level or bucket is full.	<ul style="list-style-type: none"> • The dehumidifier automatically turns off when either condition occurs. Change to a lower setting or empty the bucket and replace properly.
	Bucket is not in the proper position.	<ul style="list-style-type: none"> • The bucket must be in place and securely seated for the dehumidifier to operate.
	Power failure.	<ul style="list-style-type: none"> • There is a protective time delay (up to 3 minutes) to prevent tripping of the compressor overload. For this reason, the unit may not start normal dehumidifying for 3 minutes after it is turned back on.
Dehumidifier does not dry the air as it should	Did not allow enough time to remove the moisture.	<ul style="list-style-type: none"> • When first installed, allow at least 24 hours to maintain the desired dryness.
	Airflow is restricted.	<ul style="list-style-type: none"> • Make sure there are no curtains, blinds or furniture blocking the front or back of the dehumidifier. See the <i>Choosing a Location</i> section.
	Dirty filter.	<ul style="list-style-type: none"> • See the <i>Care and Cleaning</i> section.
	The Humidity Control may not be set low enough.	<ul style="list-style-type: none"> • For drier air, press the - pad and set to a lower percent value (%) or at CO (continuous) for maximum dehumidification.
	Doors and windows may not be closed tightly.	<ul style="list-style-type: none"> • Check that all doors, windows and other openings are securely closed.
	Clothes dryer may be blowing moisture-laden air into the room.	<ul style="list-style-type: none"> • Install the dehumidifier away from the dryer. The dryer should be vented to the outside.
	Room temperature is too low.	<ul style="list-style-type: none"> • Moisture removal is best at higher room temperatures. Lower room temperatures will reduce the moisture removal rate. Models are designed to be operated at temperatures above 5°C.
Dehumidifier runs too much	Area to be dehumidified is too large.	<ul style="list-style-type: none"> • The capacity of your dehumidifier may not be adequate.
	Doors and windows are open.	<ul style="list-style-type: none"> • Close all doors and windows to the outside.
Frost appears on the coils	Dehumidifier has been recently turned on, or room temperature is below 5°C.	<ul style="list-style-type: none"> • This is normal. Frost will usually disappear within 60 minutes. See the <i>Automatic Defrost</i> section.
Controls cannot be set	The compressor will turn off and the fan will automatically continue to run for approximately 3 minutes at a fixed setting.	<ul style="list-style-type: none"> • This is normal. Wait approximately 3 minutes and set the fan as desired.
Fan noise	Air is moving through the dehumidifier.	<ul style="list-style-type: none"> • This is normal.
Water on floor	Hose connection may be loose.	<ul style="list-style-type: none"> • Check the hose connection. See the <i>Removing Collected Water</i> section.
	Intend to use the bucket to collect water, but a hose is attached.	<ul style="list-style-type: none"> • Disconnect the hose if using the bucket to collect water. See the <i>Removing Collected Water</i> section.

Long term storage.

At the end of the season, or when you do not plan to use the unit for an extended period of time, we recommend that you take the following steps.

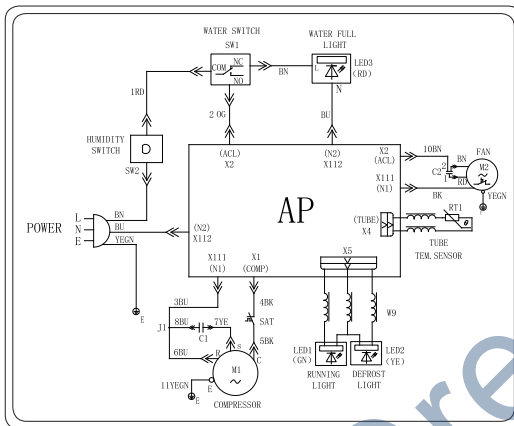
- Remove water from the water bucket. If continuous drainage hose is connected, disconnect it.
- Disconnect the unit and wrap the power cord and plug.
- Clean the unit and store it, protecting it from dust.

Store the unit in an upright position. Keep it in a cool, dry place and away from sunshine.

Electric schematic diagram.

GDNM10AEBK4A8A:

GDNM12AEBK4A8A:



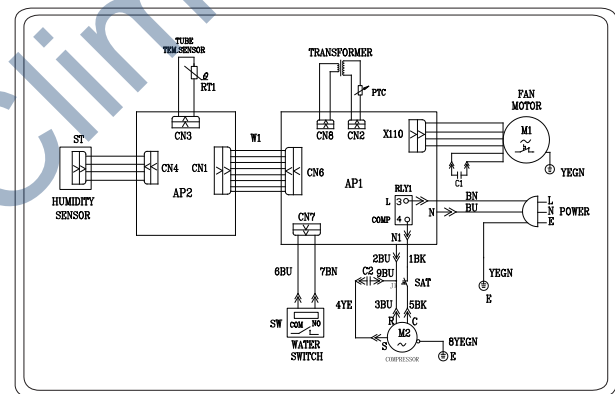
Fuse type 1A

GDNE16AEBK4A8A:

GDNE20AEBK4A8A:

GDNE24AEBK4A8A:

GDNE30AEBK4A8A:



Fuse type 3.15A

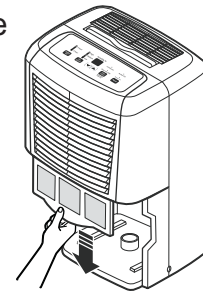
Specifications.

Model	GDNM10A EBK4A8A	GDNM12A EBK4A8A	GDNE16A EBK4A8A	GDNE20A EBK4A8A	GDNE24A EBK4A8A	GDNE30A EBK4A8A
Rated Voltage	220-240V~					
Rated Frequency	50Hz					
Rated Power	200W	270W	340W	390W	430W	620W
Moisture Removal	10L/DAY	12L/DAY	16L/DAY	20L/DAY	24L/DAY	30L/DAY
Operating Temperature	5°C-35°C					
Weight	11.5kg	11.5kg	13kg	13.5kg	15kg	15kg
Tank capacity	4.5L(Automatic stop at about 3.5L)					

Installation and Maintenance of Healthy Filter

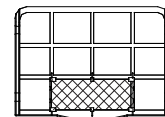
■ Installation Instruction

1. Take out the tank and Pull out filter downwards by pinching its edge below the air inlet grill of the dehumidifier. (As shown in right figure a)



(a)

2. Insert the filter into the groove for filter and button up. (As shown in right figure b)



(b)

3. Put the filter back into the dehumidifier.

■ Clean and Maintenance

Take out the healthy filter before cleaning and reinstall it after cleaning according to the installation instruction. Pay special attention to that silver ion filter can't be cleaned with water, while active carbon, photocatalyst, low temperature conversion (LTC) catalyst, formaldehyde eliminator, catechin or mite killing filter can, but can't with brush or hard things. Dry it in the shade or sun after cleaning, but not by wiping.

■ Clean and Maintenance

The healthy filter commonly has its usage lifetime for one year under normal condition. As for silver ion filter, it is invalid when its surface becomes black (green).



Gree Climat

GREE ELECTRIC APPLIANCES, INC. OF ZHUHAI

ADD: JINJI WEST ROAD, QIANSHAN, ZHUHAI, GUANGDONG CHINA

TEL: (0756)8617555 P.C.: 519070

© GREE 66166516